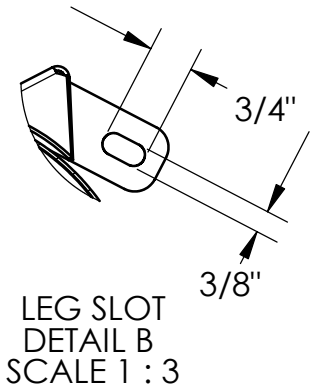
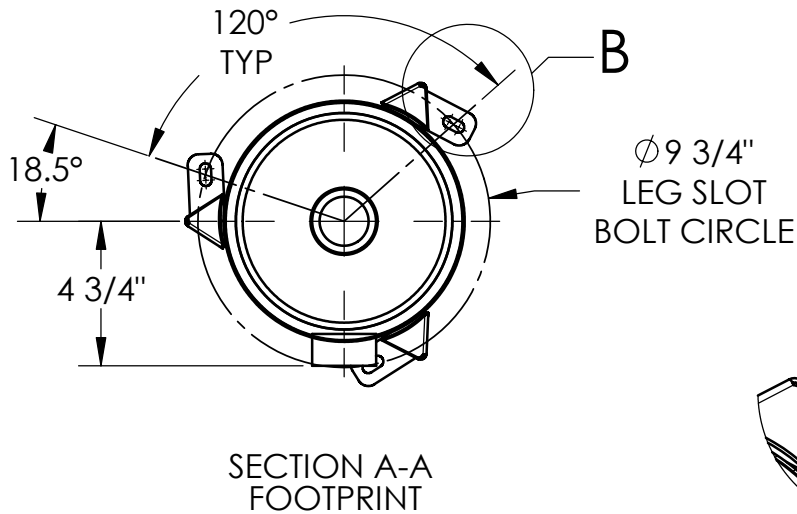
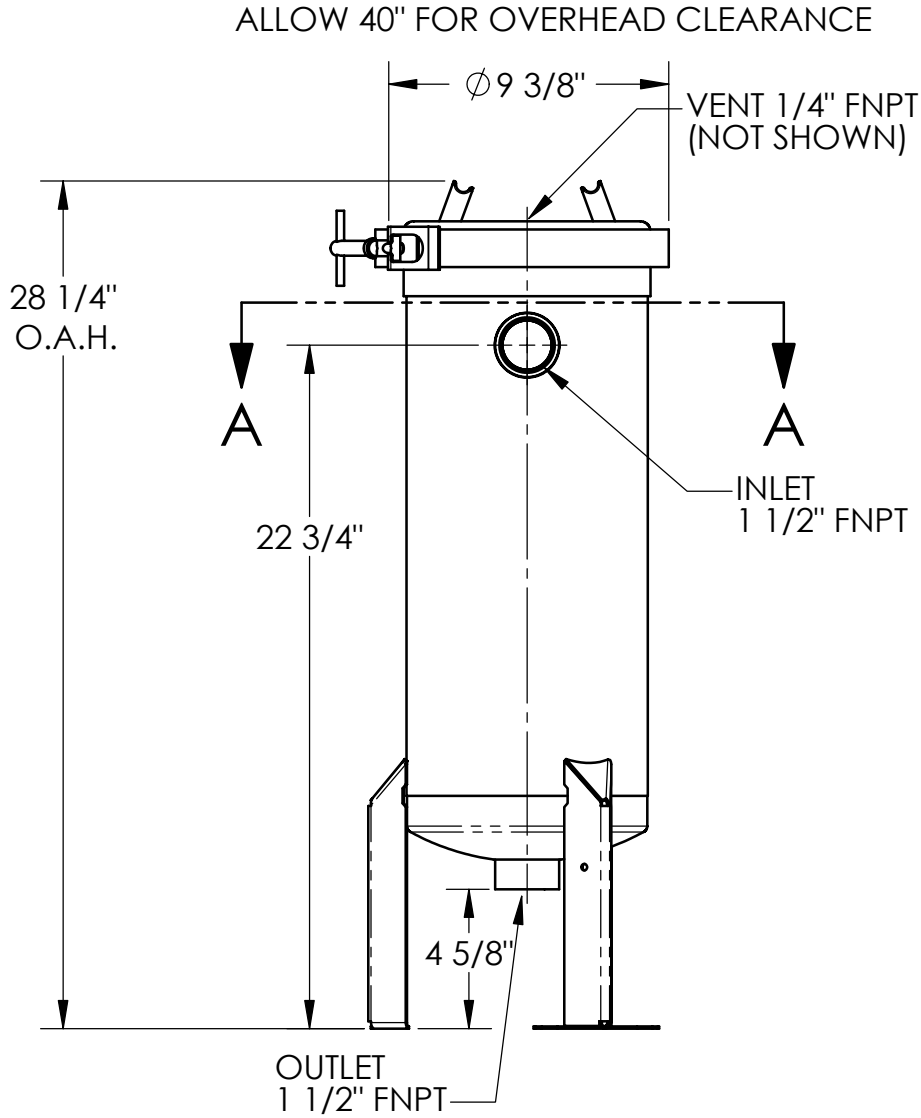


THE INFORMATION CONTAINED IN THIS DRAWING IS THE SOLE PROPERTY OF HARMSCO INC. ANY REPRODUCTION IN PART OR WHOLE WITHOUT THEIR EXPRESS WRITTEN CONSENT IS PROHIBITED.

E FILE: INSTALLATION DIAGRAM- BCB-1-1-.5-EXT

REVISIONS
DESCRIPTION

DATE APPROVED



HARMSCO INC.

P.O. BOX 14066 N. PALM BEACH, FL

SCALE "1:6"

PART NAME
**INSTALLATION
DIAGRAM**

PART NO.

BCB-1-1.5-EXT

APPROVALS

DATE

7/06

RPT

APPROVED

UNLESS OTHERWISE SPECIFIED
DIMENSIONS ARE IN INCHES
TOLERANCES ARE:

FRACTIONS DECIMALS ANGLES
+/- 1/8 +/- .010 +/- 1°

DRAWN ON CAD DO NOT SCALE