

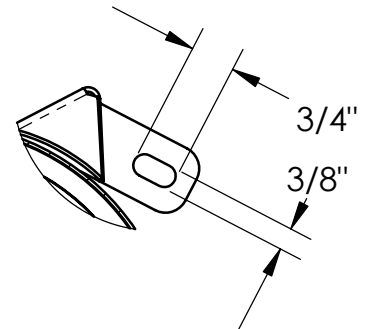
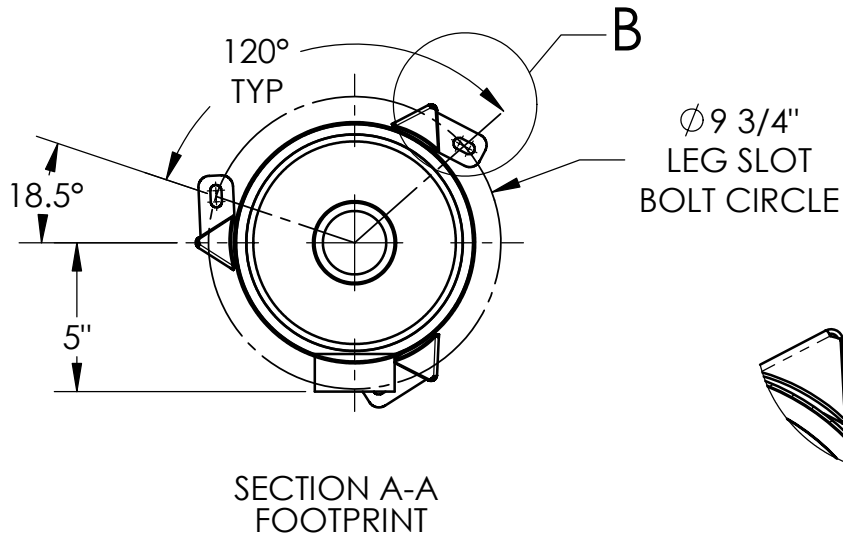
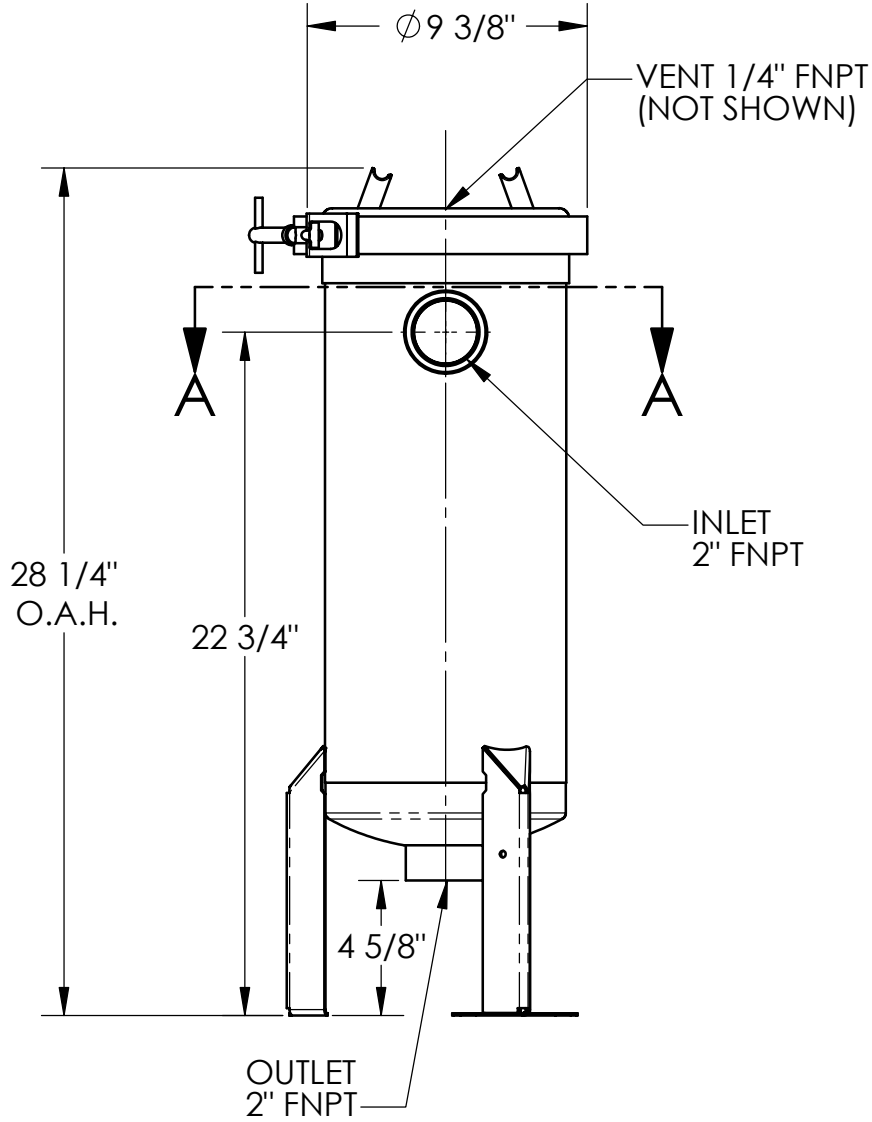
THE INFORMATION CONTAINED IN THIS DRAWING IS THE SOLE PROPERTY OF HARMSCO INC. ANY REPRODUCTION IN PART OR WHOLE WITHOUT THEIR EXPRESS WRITTEN CONSENT IS PROHIBITED.

E FILE: INSTALLATION DIAGRAM- BCB-1-2-EXT

REVISIONS  
DESCRIPTION

DATE APPROVED

ALLOW 40" FOR OVERHEAD CLEARANCE



LEG SLOT DETAIL B  
SCALE 1 : 3

**HARMSCO INC.**

P.O. BOX 14066 N. PALM BEACH, FL

SCALE "1:6"

PART NAME  
**INSTALLATION DIAGRAM**

PART NO.

**BCB-1-2-EXT**

APPROVALS

DATE

7/06

RPT

APPROVED

UNLESS OTHERWISE SPECIFIED DIMENSIONS ARE IN INCHES TOLERANCES ARE:

FRACTIONS DECIMALS ANGLES  
+/- 1/8 +/- .010 +/- 1°

DRAWN ON CAD DO NOT SCALE