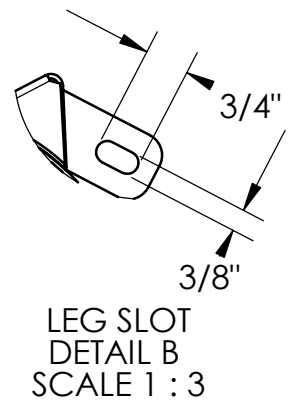
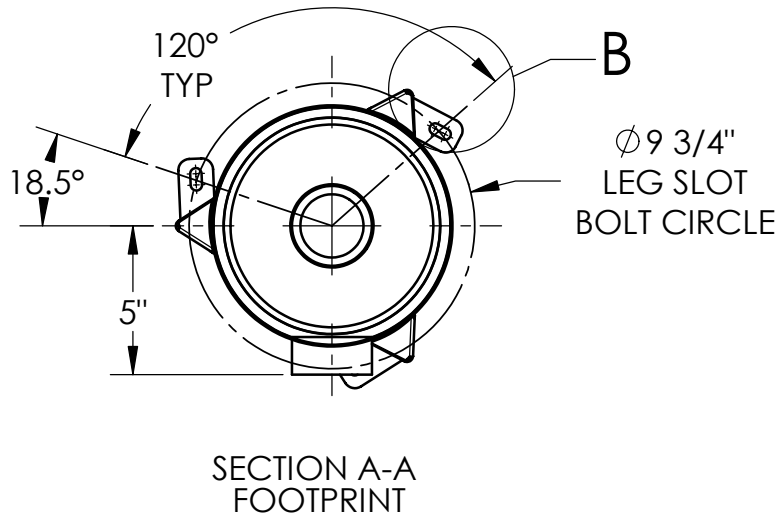
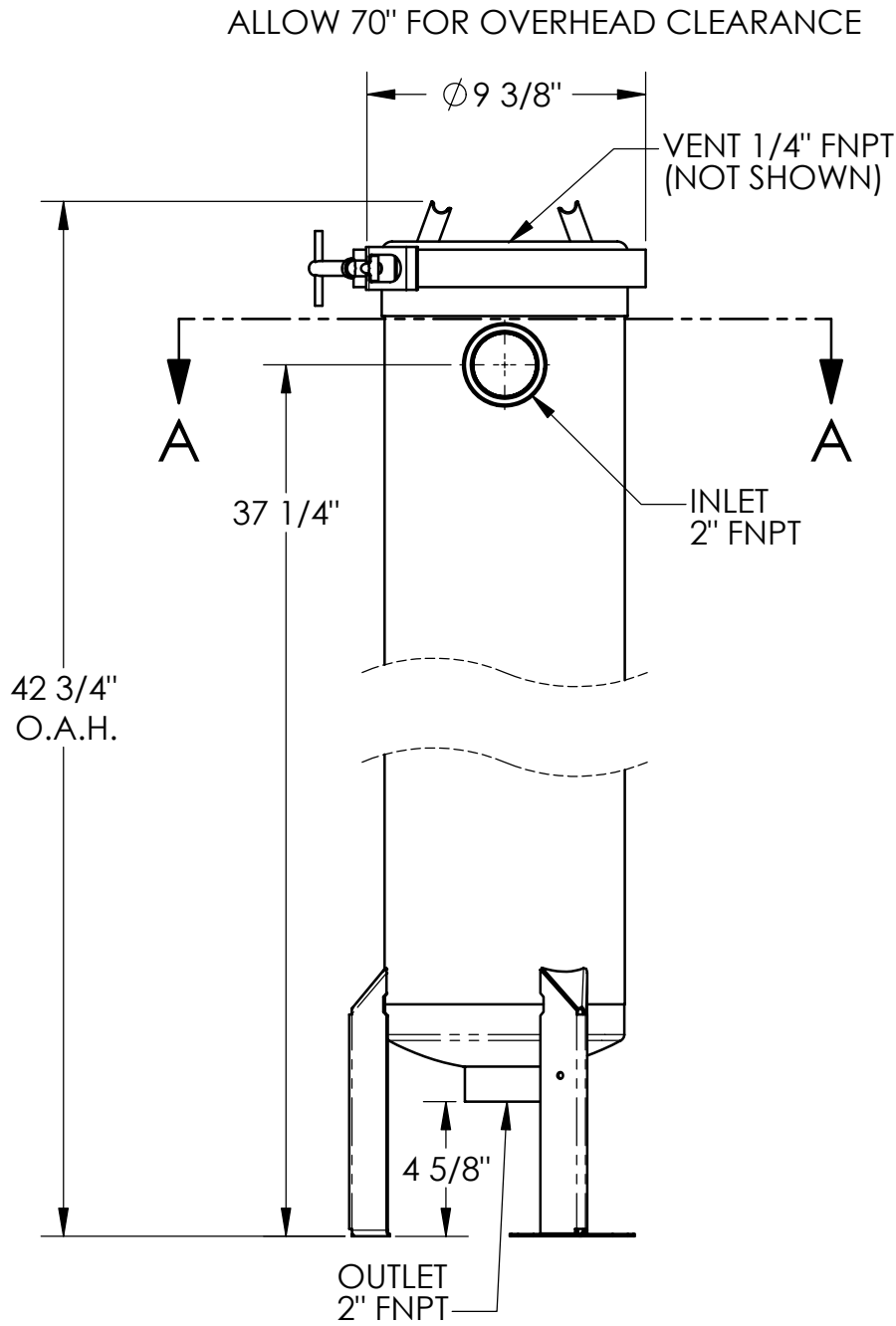


THE INFORMATION CONTAINED IN THIS DRAWING IS THE SOLE PROPERTY OF HARMSCO INC. ANY REPRODUCTION IN PART OR WHOLE WITHOUT THEIR EXPRESS WRITTEN CONSENT IS PROHIBITED.

E FILE: INSTALLATION DIAGRAM- BCB-2-2-EXT

REVISIONS

REV.	DESCRIPTION	DATE	APPROVED



**HARMSCO INC.**

P.O. BOX 14066 N. PALM BEACH, FL

SCALE  
"1:6"

PART NAME  
**INSTALLATION  
DIAGRAM**

PART NO.

**BCB-2-2-EXT**

APPROVALS

DATE

7/06

RPT

DRAWN

APPROVED

UNLESS OTHERWISE SPECIFIED  
DIMENSIONS ARE IN INCHES  
TOLERANCES ARE:  
FRACTIONS DECIMALS ANGLES  
+/- 1/8 +/- .010 +/- 1°

DRAWN ON CAD DO NOT SCALE