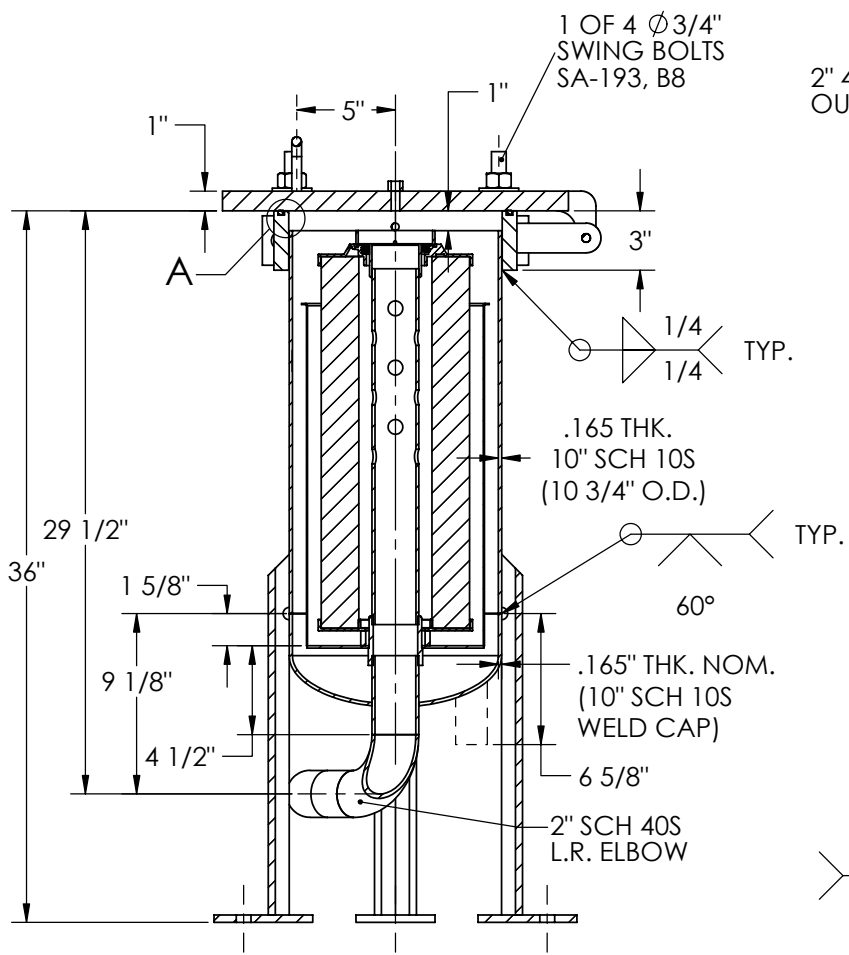
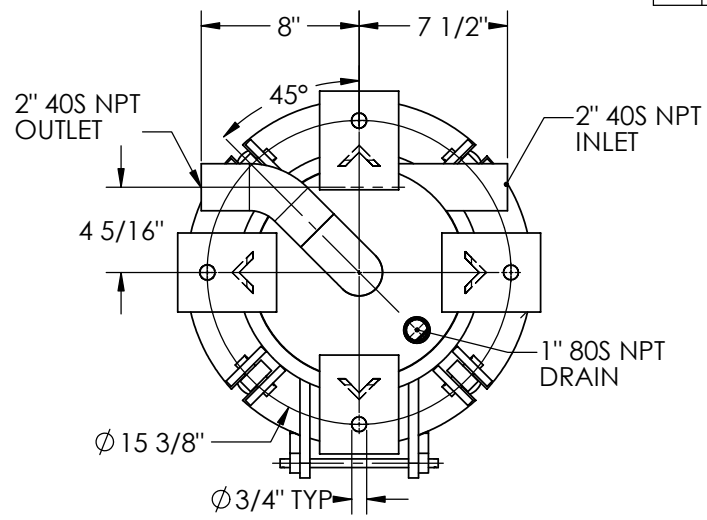


THE INFORMATION CONTAINED IN THIS DRAWING IS THE SOLE PROPERTY OF HARMSCO INC. ANY REPRODUCTION IN PART OR WHOLE WITHOUT THEIR EXPRESS WRITTEN CONSENT IS PROHIBITED.

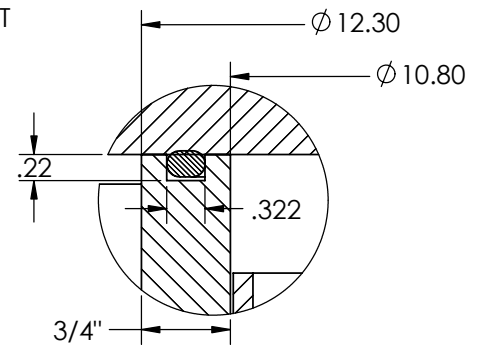
| REVISIONS |             |      |          |
|-----------|-------------|------|----------|
| REV.      | DESCRIPTION | DATE | APPROVED |
|           |             |      |          |
|           |             |      |          |



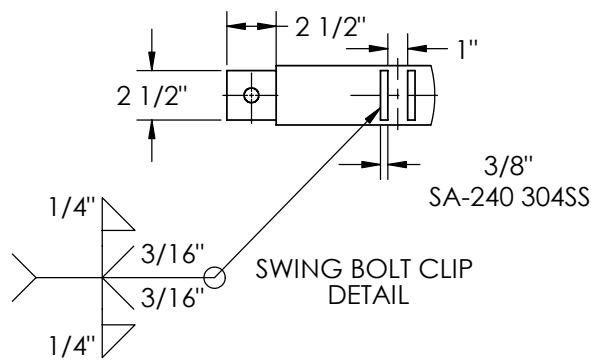
SECTION VIEW



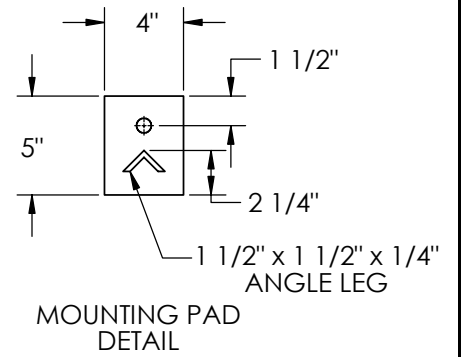
BOTTOM VIEW



DETAIL A



SWING BOLT CLIP DETAIL



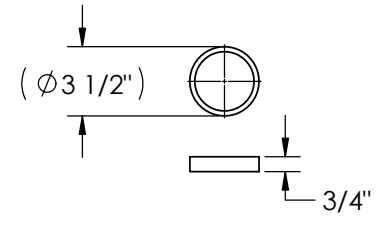
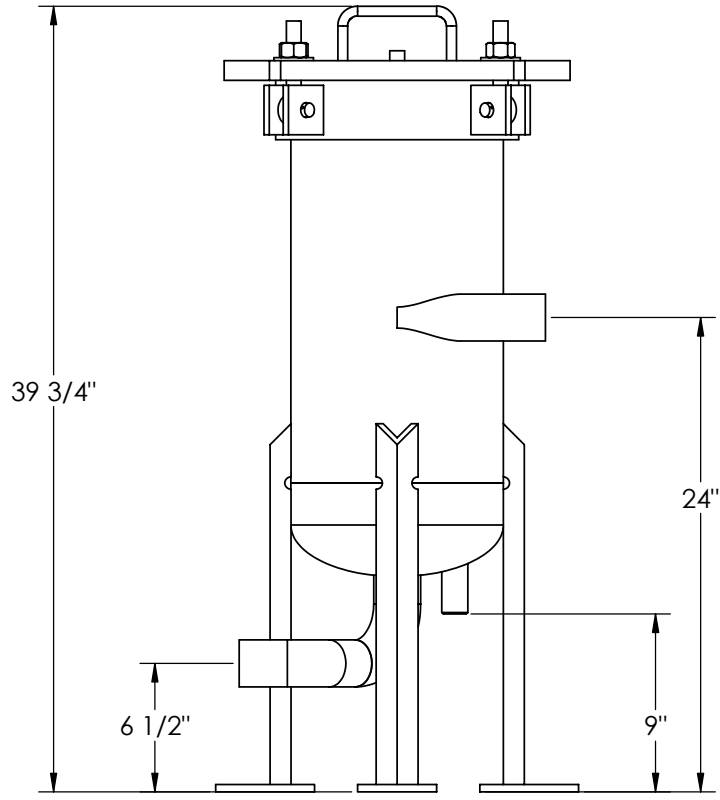
MOUNTING PAD DETAIL

SHEET 1 OF 2

|   |       |   |                                   |                         |
|---|-------|---|-----------------------------------|-------------------------|
| APPROVALS   | DATE  | <b>HARMSCO INC.</b><br>P.O. BOX 14066 N. PALM BEACH, FL |                                   |                         |
| DRAWN<br>C.D.B.   | 04/03 |   |                                   |                         |
| APPROVED  |       | SCALE<br>1:6  | PART NAME<br>HURRICANE<br>90 ASME | PART NO.<br>HUR-90-ASME |
| UNLESS OTHERWISE SPECIFIED<br>DIMENSIONS ARE IN INCHES<br>TOLERANCES ARE:<br>FRACTIONS DECIMALS ANGLES<br>+/- 1/32 +/- .010 +/- 30' |       |   |                                   |                         |
| DRAWN ON CAD DO NOT SCALE   |       |   |                                   |                         |

THE INFORMATION CONTAINED IN THIS DRAWING IS THE SOLE PROPERTY OF HARMSCO INC. ANY REPRODUCTION IN PART OR WHOLE WITHOUT THEIR EXPRESS WRITTEN CONSENT IS PROHIBITED.

| REVISIONS |             |      |          |
|-----------|-------------|------|----------|
| REV.      | DESCRIPTION | DATE | APPROVED |
|           |             |      |          |
|           |             |      |          |



STAND-OFF RING  
3"SCH40 PIPE X 3/4"

SHEET2 OF 2

|   |          |   |                                   |                         |
|---|----------|---|-----------------------------------|-------------------------|
| APPROVALS   | DATE     | <b>HARMSCO INC.</b><br>P.O. BOX 14066 N. PALM BEACH, FL |                                   |                         |
| DRAWN   |          |   |                                   |                         |
| APPROVED  |          | SCALE<br>"1:6"  | PART NAME<br>HURRICANE<br>90 ASME | PART NO.<br>HUR-90-ASME |
| UNLESS OTHERWISE SPECIFIED<br>DIMENSIONS ARE IN INCHES<br>TOLERANCES ARE: |          |   |                                   |                         |
| FRACTIONS   | DECIMALS | ANGLES  |                                   |                         |
| +/- 1/32  | +/- .010 | +/- 30'   |                                   |                         |
| DRAWN ON CAD DO NOT SCALE   |          |   |                                   |                         |